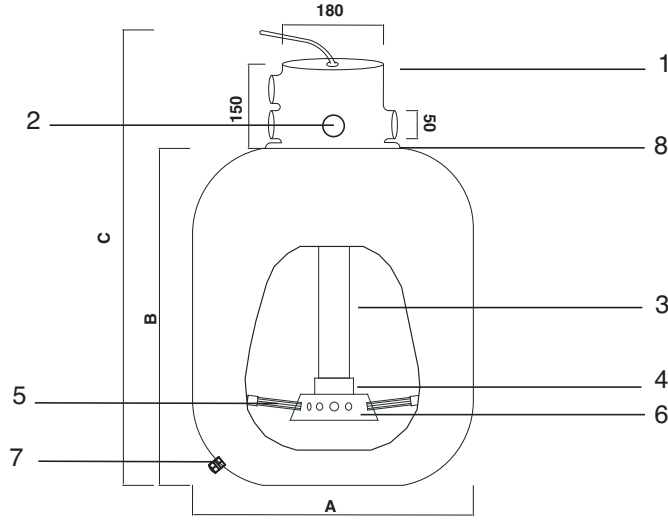


## 16 -Yedek Parçalar - Pİ NA Üstten Vanalı Kum Filtreleri Spare Parts - Pİ NA Top Mount Fiberglass Sand Filters



A (mm)	Filtr. Area (m <sup>2</sup> )	Debi (Flow) (m <sup>3</sup> /h)	Kum (Sand) (kg)	Bağlantı Connect.	B (cm)	C (cm)	Box Size (cm)	Box Weight (kg)
		50 m/h	0.8-1.5					
Ø 400 (16")	0,13	6,0	60	1 1/2"	59,0	75,0	46 x 46 x 81cm	13,5
Ø 500 (20")	0,20	9,0	80		59,0	75,0	66 x 66 x 86cm	17,0
Ø 600 (24")	0,28	14,0	130		65,0	81,0	66 x 66 x 86cm	19,0
Ø 800 (32")	0,50	25,0	375	2"	94,0	126,0	82 x 82 x 102cm	35,0
Ø 950 (38")	0,71	35,0	575		109,0	141,0	95 x 95 x 115cm	48,0

NO	ÜRÜN AÇIKLAMASI	PRODUCT NAME	400MM AAB18		500MM AAB19		600MM AAB20	
			KOD	FİYAT	KOD	FİYAT	KOD	FİYAT
1	Altıyollu Vana	Topmount Multiport Valve	AAZ28	62,00	AAZ28	62,00	AAZ28	62,00
2	Manometre	Manometer	ZZU39	17,00	ZZU39	17,00	ZZU39	17,00
3	PVC Boru 50mm PN10	PVC Pipe 50mm PN10	ELV31	1,93	ELV31	1,93	ELV31	1,93
4	PVC Redüksiyon 63-50mm	PVC Reduction 63-50mm	EKA25	0,45	EKA25	0,45	EKA25	0,45
5	Nozul 3/4"	Lateral Nozzle 3/4"	AAA28	1,30	AAA28	1,30	AAA29	1,35
6	Ahtapot Kollektör 3/4" 12'li	Collector 3/4" x 12	HTA20	11,80	HTA20	11,80	HTA20	11,80
7a	Drenaj Tapası 25mm 3/4"	Drainage Cap 25mm 3/4"	MWT03		MWT03		MWT03	
7b	Drenaj Nozulu 3/4"	Drainage Nozzle 3/4"	AAA28	1,30	AAA28	1,30	AAA28	1,30
8	Vana Filtre O-Ringi	Valve to Filter O-Ring						