

Pumps for Swimming Pools

**2 YEARS
PARTS
WARRANTY**

Self-priming Pool Pumps

**2850
rpm**

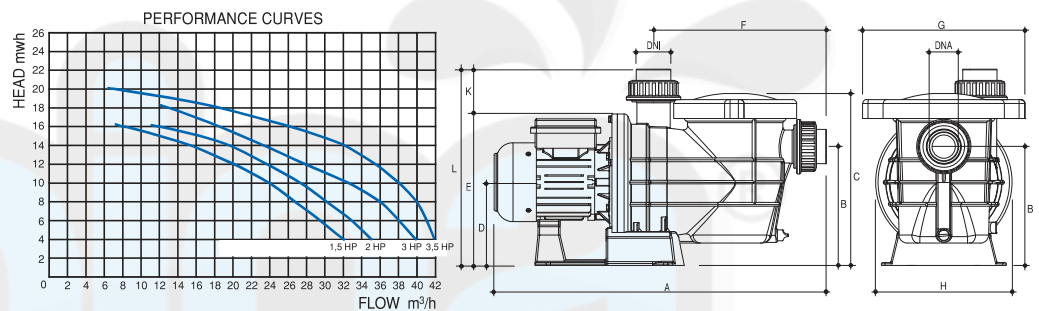


Self-priming, thermoplastic body Mono-block Pool Pump; complete with pre-filter. Discharge diameter is 2", easy opening lid with 40 rotation. Large pre-filter basket. 2850 rpm and IP55 motor. Pump shaft is stainless steel.

Easy access lid

Wide and clear view on prefilter lid
Made of polycarbonate

Description	Code	List Price Euro	Pieces/box	Weight Kg	Volume m ³
• 150M 1,5 HP, Monophase	ABP05		1	16,344	0,051
• 150T 1,5 HP, Triphase	ABP06		1	15,669	0,051
• 200M 2,0 HP, Monophase	ABP07		1	18,404	0,051
• 200T 2,0 HP, Triphase	ABP08		1	17,534	0,051
• 300M 3,0 HP, Monophase	ABP09		1	18,404	0,051
• 300T 3,0 HP, Triphase	ABP10		1	17,534	0,051



Large volume basket



Stainless steel motor shaft

PUMP TYPE	HP	CONDENSER (µF)	AMPERES			HEAD mwh								
			II 220 V	III 220 V	III 380 V	4	6	8	10	12	14	16	18	20
150T/M	1,5	30	7,02	4,42	2,55	32,00	29,70	26,50	24,00	20,00	15,50	8,00	-	-
200T/M	2	40	8,60	5,50	3,50	35,00	33,00	30,00	27,50	23,80	19,50	12,00	-	-
300T/M	3	40	8,90	6,01	3,90	40,00	38,00	36,00	32,40	27,60	23,20	18,50	13,00	-

PUMP TYPE	DIMENSIONS											Net Weight (Kg)		Gross Weight (Kg)		
	DNA	DNI	A	K	B	C	D	E	F	G	H	I	Mo.	Tri.	Mo.	Tri.
150T/M	2"	2"	630	80	205	310	145	275	320	292	245	355	15,095	14,420	16,344	15,669
200T/M	2"	2"	630	80	205	310	145	275	320	292	245	355	17,150	16,280	18,404	17,534
300T/M	2"	2"	630	80	205	310	145	275	320	292	245	355	17,150	16,280	18,404	17,534

SUCTION PIPE DIMENSIONS

PUMP TYPE	50T/M	80T/M	100T/M	150T/M	200T/M	300T/M
Ø SUCTION PIPE	1 1/2" (Ø50 mm)	2" (Ø63 mm)	2" (Ø63 mm)	2 1/2" (Ø75 mm)	3" (Ø90 mm)	3" (Ø90 mm)

PS: It is recommended to use conical reduction at the suction line of the pump.

We reserve our right to change all or part of the features of the articles or contents of this document, without prior notice.

Pumps for Swimming Pools

Self-priming Pool Pumps

2850 rpm

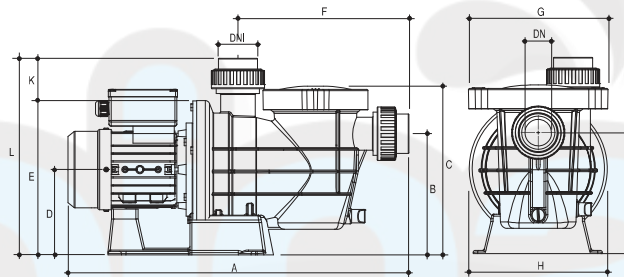
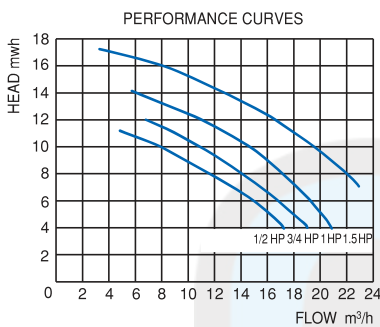
2 YEARS PARTS WARRANTY

Self-priming, thermoplastic body Mono-block Pool Pump; complete with pre-filter. Discharge diameter is 1 1/2", easy opening lid with 40 rotation. Large pre-filter basket. 2850 rpm and IP55 motor. Pump shaft is stainless steel.



Easy access lid
Self-threaded

Description	Code	List Price Euro	Pieces/box	Weight Kg	Volume m ³
• 50M 1/2 HP, Monophase	ABP01		1	11,140	0,037
• 80M 3/4 HP, Monophase	ABP02		1	12,460	0,037
• 100M 1 HP, Monophase	ABP03		1	12,340	0,037
• 150M 1,5 HP, Monophase	ABP04		1	13,880	0,037



PUMP TYPE	HP	CONDENSER (µF)	AMPERES			HEAD mwh										
			220 V	220 V	380 V	4	6	8	10	11	12	14	16	17		
	0,33	16	2,50	-	-	14,10	11,60	8,30	4,00	-	-	-	-	-	-	-
0,50M	0,50	20	2,70	2,33	-	17,20	14,90	11,40	7,90	4,80	-	-	-	-	-	-
0,80T/M	0,75	25	3,40	3,03	1,44	18,90	16,70	13,50	10,80	9,00	6,80	-	-	-	-	-
1,00T/M	1,00	30	3,60	4,42	1,46	20,80	19,30	17,10	14,90	13,20	10,50	6,00	-	-	-	-
1,50T/M	1,50	30	5,15	4,60	2,30	26,00	24,80	22,00	19,50	18,00	16,50	12,50	15,00	-	-	-

PUMP TYPE	DIMENSIONS												Net Weight (Kg)		Gross Weight (Kg)	
	DNA	DNI	A	K	B	C	D	E	F	G	H	L	Mo.	Tri.	Mo.	Tri.
0,50M	11/2"	11/2"	500	70	175	280	125	230	255	205	175	300	9,300	-	10,300	-
0,80T/M	11/2"	11/2"	500	70	175	280	125	230	255	205	175	300	10,140	-	11,140	-
1,00T/M	11/2"	11/2"	500	70	175	280	125	230	255	205	175	300	11,460	11,460	12,460	12,460
1,50T/M	11/2"	11/2"	500	70	175	280	125	230	255	205	175	300	12,880	12,880	13,880	13,880

SUCTION PIPE DIMENSIONS

PUMP TYPE	50M	80T/M	100T/M	150T/M
Ø SUCTION PIPE	1 1/2" (Ø50 mm)	2" (Ø63 mm)	2" (Ø63 mm)	2 1/2" (Ø75 mm)

PS: It is recommended to use conical reduction at the suction line of the pump.



Noryl impeller



Stainless steel motor shaft