

## PINA UNDERWATER LIGHTING FIXTURES (LINER/CONCRETE)



Pina underwater lights can be used in all underwater lighting applications including swimming pools. The lamp in armature is PAR56 300W / 12V. The niche and all other parts, except of gaskets and the lamp, are produced within Pina factory and assembled under the Pina brand. This product can be only used in concrete structures and shouldn't be used without transformers. Pina lighting fixtures are resistant to corrosive swimming pool water.



### RESISTANT

Plastic frame never corrode in swimming pool water.

### SPECIAL HOUSING

is capable of high temperature lamp operation under water.

The frame of Pina underwater light is protected against chemical water and other environmental conditions. Accordingly, it is avoided to turn yellow.

The housing of lamp is produced to **RESIST** high temperatures during its operation. By the way, the deformation of the housing that might be observed due to high temperature of lamp is prevented.

For providing waterproof Pina underwater light, the nipples of passing points of housing and niche are made of plastic. Depends on this detail, Pina underwater light differs from other brands.

CODE	DESCRIPTION	SPEC.	BOX CONTENTS	PACKAGING	UNIT
DGA01	Pina Underwater Lighting [Complete KIT]	300W-12V	Niche, 3m cable and 1,5m conduit hose	29x29x17cm	2,70Kg 1ad
DGA03	Pina Underwater Lighting W/O Niche	300W-12V	3 m cable and 1,5m conduit hose	29x29x17cm	1,90Kg 1ad
DGA05	Pina Standart Niche	R (DIA.) = 21,8 cm		29x29x17cm	1,10Kg 1ad

### TECHNICAL SPEC.

- 01 Underwater lamp (PAR56)
- 02 Front rim
- 03 Inner frame
- 04 Stainless steel bolt(M5x40mm)
- 05 Nut
- 06 Locking claw
- 07 Bolt of inner frame (M5x50mm)
- 08 "O" ring of housing
- 09 Housing
- 10 Nipple
- 11 Nipple nut
- 12 Electric cable 2x4mm<sup>2</sup>
- 13 Cable socket
- 14 Niche
- 15 Conduit hose adapter
- 16 Conduit hose
- 17 Liner gasket
- 18 Liner gasket screw
- 19 Liner niche

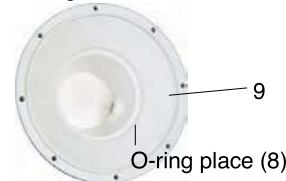
### PRE-CAUTIONS

- Only operate under water.
- Be sure that nipples are closed enough. O-ring should be renewed when the broken lamp is changed.

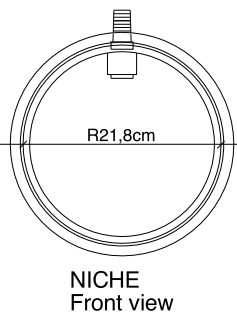
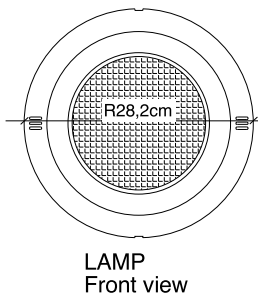
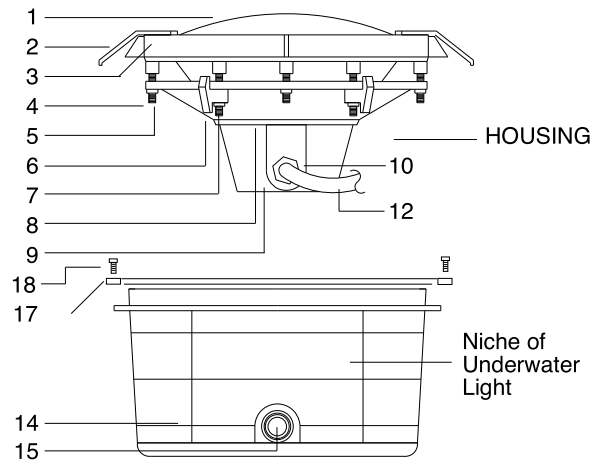
### TECHNICAL SPEC.

Power	100 or 300w
Voltage	12v
Cable	2x4mm <sup>2</sup>
Cable type	H05VV-F
O-ring	EPDM
Bolts	AISI304
Nipples	Special plastic
Protection	IP-68

### Housing of underwater



### FRONT VIEW



### DISTRIBUTOR