

ROBOTIC POOL CLEANER

OPTIMUS©

BCZ96



USER MANUAL

Thank you for purchasing Robotic Pool Cleaner. If you have any questions or issues, please contact your local dealer for customer service.

Content

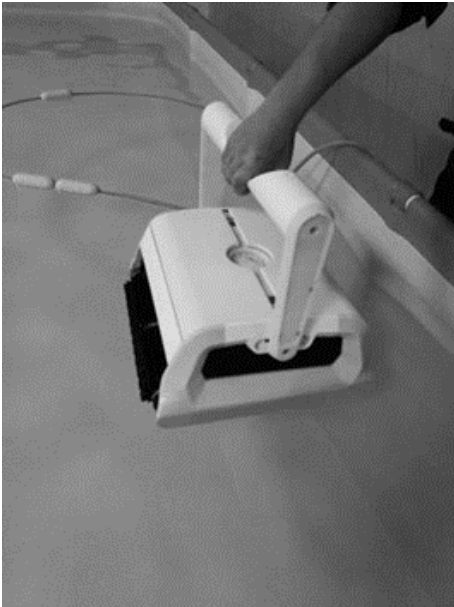
Important Precautions	1
Attention	2
I. Introduction	3
II. Safety	3
III. Specifications	4
IV. Operation instructions	5
V. Packing list	9
VI. Trouble shooting	10
VII. Warranty	12

Important Precautions

1. Please read the manual carefully, and use the cleaner according to the manual. We are not held liable for any loss or injury caused by improper use.
2. Please do not allow children to ride on it or play with it as a toy.
3. In order to prevent severe damage to the cleaner, never power on it when it is out of the swimming pool.
4. It is forbidden to operate the cleaner when there are people in the pool, and the power supply should be connected to a leakage-protected and earthed socket.
5. In order to avoid overheating and potential damage for components, never cover the power supply when using.
6. In order to avoid any accident or damage, it is strongly recommended to fix the power supply indoor in at least 3.5m away from the swimming pool edge and connect the power supply with a fixed holder by using the safety rope.
7. Before power-on, make sure the filters be assembled and the cable be fully released to avoid any winding, which could affect the cleaner's performance or cause damage.
8. Hold the top handle when putting the cleaner into or lift it out of the water. Do not pull the cable.
9. It is forbidden to use the cleaner beyond its working conditions stated in the manual.
10. The cleaner should be stored in a cool and ventilated place, away from direct sunshine.
11. Only professionals can disassemble the cleaner and its power supply, otherwise the warranty will be invalidated.
12. It is forbidden to drop and hammer the battery and cleaner.
13. Use the accessories recommended or sold by the manufacturer only.
14. It is strictly forbidden to place drugs for water treatment inside the cleaner for dosing, otherwise the warranty will be invalidated.

Attention

When putting the cleaner into the water, please hold the top handle and make sure to empty the trapped air inside then the cleaner can immerse into the pool floor.



When lifting the cleaner out of water, suspend the cleaner above water for about 10-15 seconds to empty the water inside. Please hold the top handle only and never pull the cable.



I. Introduction

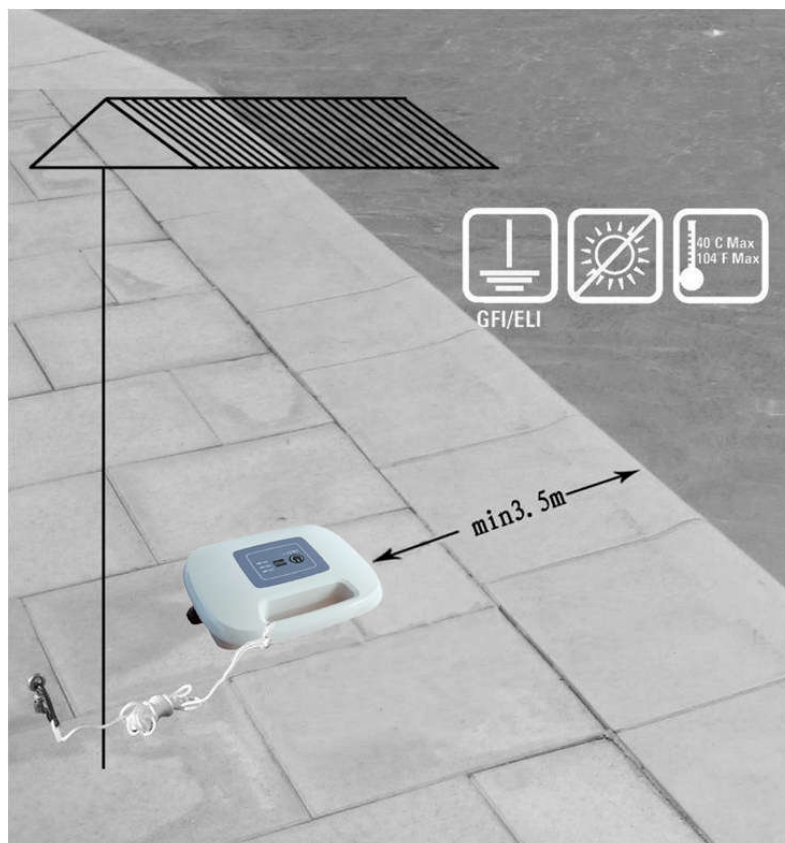
The robotic pool cleaner HJ2052 is a new type of highly efficient and energy-saving swimming pool cleaning robot. Through its advanced computer-controlled program, it can clean the pool walls and bottom automatically. At the same time, it filters the pool water and gets rid of suspended particles without replace the pool water. It's totally environmental-friendly.

For safe operation, the cleaner works on 28V direct current. Please read this user manual carefully before use.

II. Safety

1. Power supply unit position:

Power supply unit needs to be placed in proper position to reach the distal end of pool for the cleaner, meanwhile as least 3.5m from pool edge.

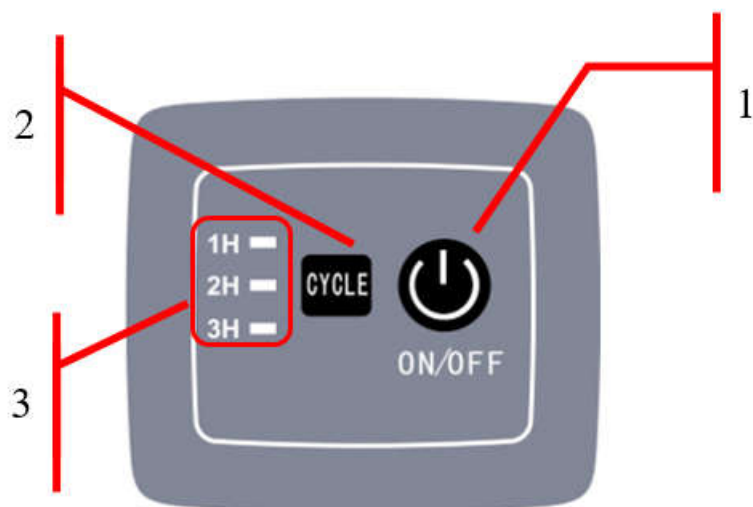


III. Specifications

1. Rated input voltage: 100VAC-230V
2. Frequency: 50Hz/60Hz
3. Output voltage: DC28V
4. Power: 118W
5. Cleaning cycle: 1/2/3h
6. Filtering capacity: appr. 16m³/h
7. Filter density: 180μm
8. Moving speed: appr. 10m/min
9. IP grade: Cleaner IPX8; Power supply unit: IPX5
10. Max. water depth: 2m
11. Working environmental temperature: 10-35°C

IV. Operation instructions

4.1 Panel

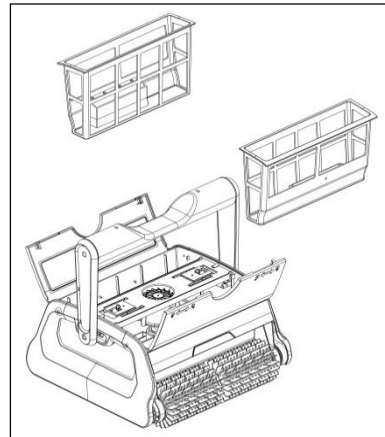
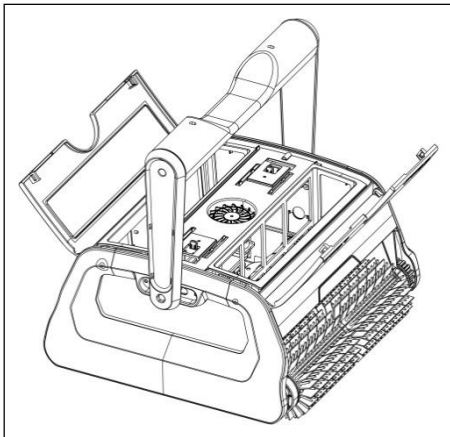
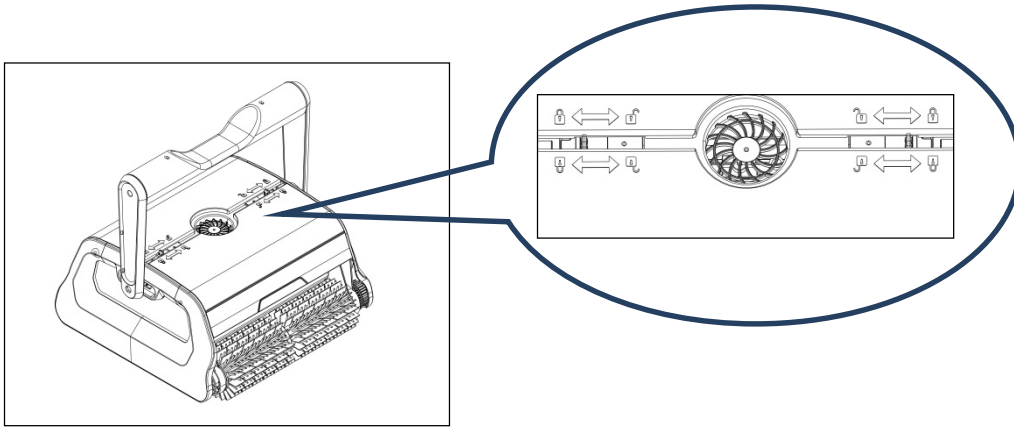


No.	Indicator	Description		Function
1	ON/ OFF	Power on/off		Press this button, the cleaner starts to work; Press a second time, the cleaner is off.
2	CYCLE	To choose working cycle		When the cleaner is on, use this button to choose preferred working time.
3	Indicator	Indicator	1H flashes	Working time of 1 hour
			2H flashes	Working time of 2 hours
			3H flashes	Working time of 3 hours
			1H, 2H and 3H flash together	Working cycle finishes

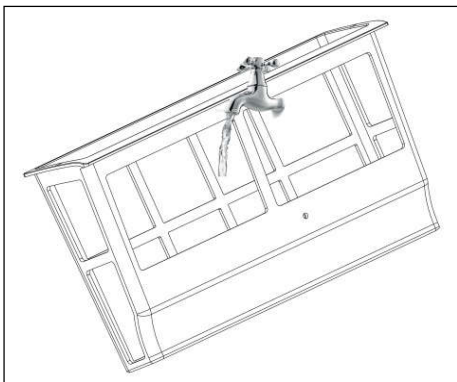
			Fault Code	Meaning	Suggestions
		Fault	1H and 3H flash with warning sound	Power supply overload	Stop the cleaner, check if anything is blocked in impeller or in transmission system

4.4 Filter cleaning

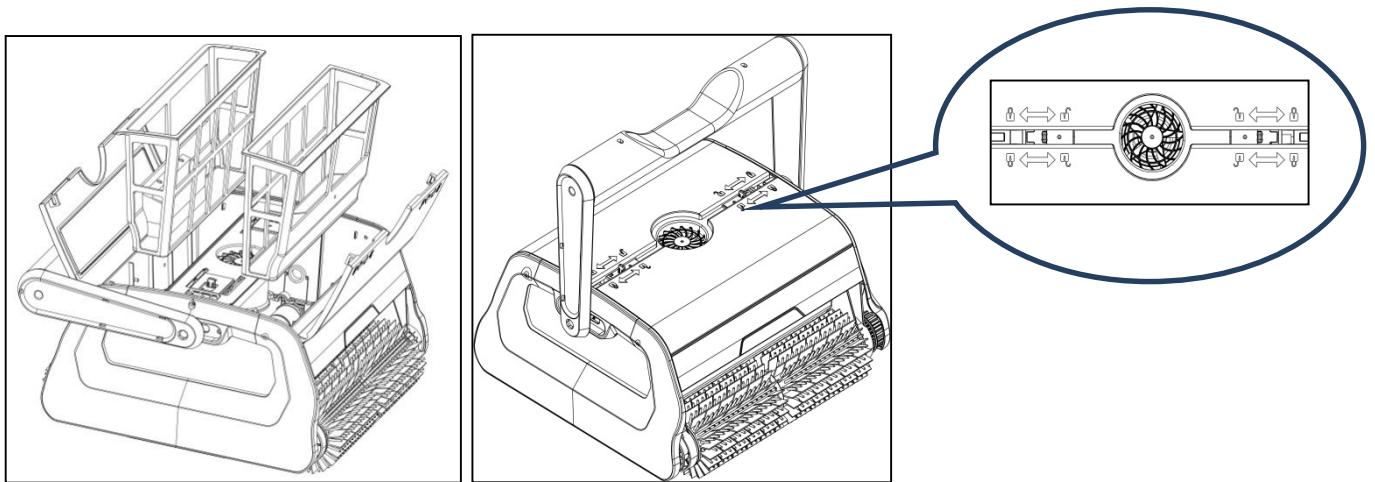
4.4.1 Slide the two clips according to the indications on the top cover to open it and take out the filters



4.4.2 Clean the filter baskets



4.4.3 Re-install the filters, pay attention to the good position and slide the two clips to close the top cover.



4.5 Foam installation

Please refer to following operation if it is difficult for the cleaner to climb the wall and clean the waterline. The following operation is not necessary if the cleaner climbs the wall well.

Open the top cover and glue the float block at the position shown in the below picture. The other side is also glued.



Note:

1. You can also glue the float block on the top cover without removing the cover. Touch the position with your hands and glue it according to the picture.
2. The float block has glue on its back, so it must be glued on the top cover tightly and then put it into the pool 24 hours later.

V. Packing list

Item	Name	Model	Quantity (pc)	Note
Cleaner	Cleaner	BCZ96	1	In carton
	Power supply unit	BCZ96	1	In carton
	User manual	BCZ96	1	In plastic bag
	Safety rope		1	In plastic bag
	foams		2	In plastic bag

VI. Trouble Shooting

The pool water condition must be within the following parameters:

PH: 7.0 – 7.4	Salt: Max 5,000 ppm
Temperature: 10°C to 35°C	Chlorine: Max 2 ppm

Symptom	Possible reason	Corrective action
Cable twists or coils up	Cable not fully released	Unplug power line and release cable
	Obstruction in pool	Remove obstruction in pool
	Stuck on main drain outlet of the pool	Turn off pool filter system
	Long time working	Release manually
Robot does not reach all pool area	Power supply unit improperly positioned	Place power supply in proper position so that cleaner can reach all area
	Algae in pool floor	Before using Optimus at the beginning of the season you should brush any algae from the floor and walls of the pool
	Customized pool shape	Ideal pool shape for Optimus is ROUND/OVAL/RECTANGLE/KIDNEY SHAPE, please put the robot onto the position that need specific cleaning
	Pool filter system and pump open	Turn off pool filter system
	Cable not long enough in pool	Release cable

Robot does not work	Power cord not connected well	Plug power cord and cable line
	Damaged during transportation	Contact local vendor
	Cleaner does not match local rated voltage	Contact local vendor
	Been blocked	Check the impeller or driving system
	Electric fault	Contact a local distributor
Robot does not climb wall	Filter basket need to clean	Clean the filter basket
	Rollers are worn or consumed too much	Replace new roller

VII. Warranty

This product has passed all quality control and safety tests, conducted by the technical department of the factory.

Warranty information:

1. Warranty is 2 years (only for motor and PCB) from the date of purchase. Consumable parts are beyond of warranty which includes: Top handle/Driving belt/Filter basket/Roller/Side cover.
2. This warranty is void if the product has been altered, misused, or has been repaired by unauthorized personnel.
3. The warranty extends only to manufacturing defects and does not cover any damage resulting from mishandling of the product by the owner.
4. The sales invoice must be presented for any claim or repair during the warranty period.

Please contact your local dealer for any warranty issues.

